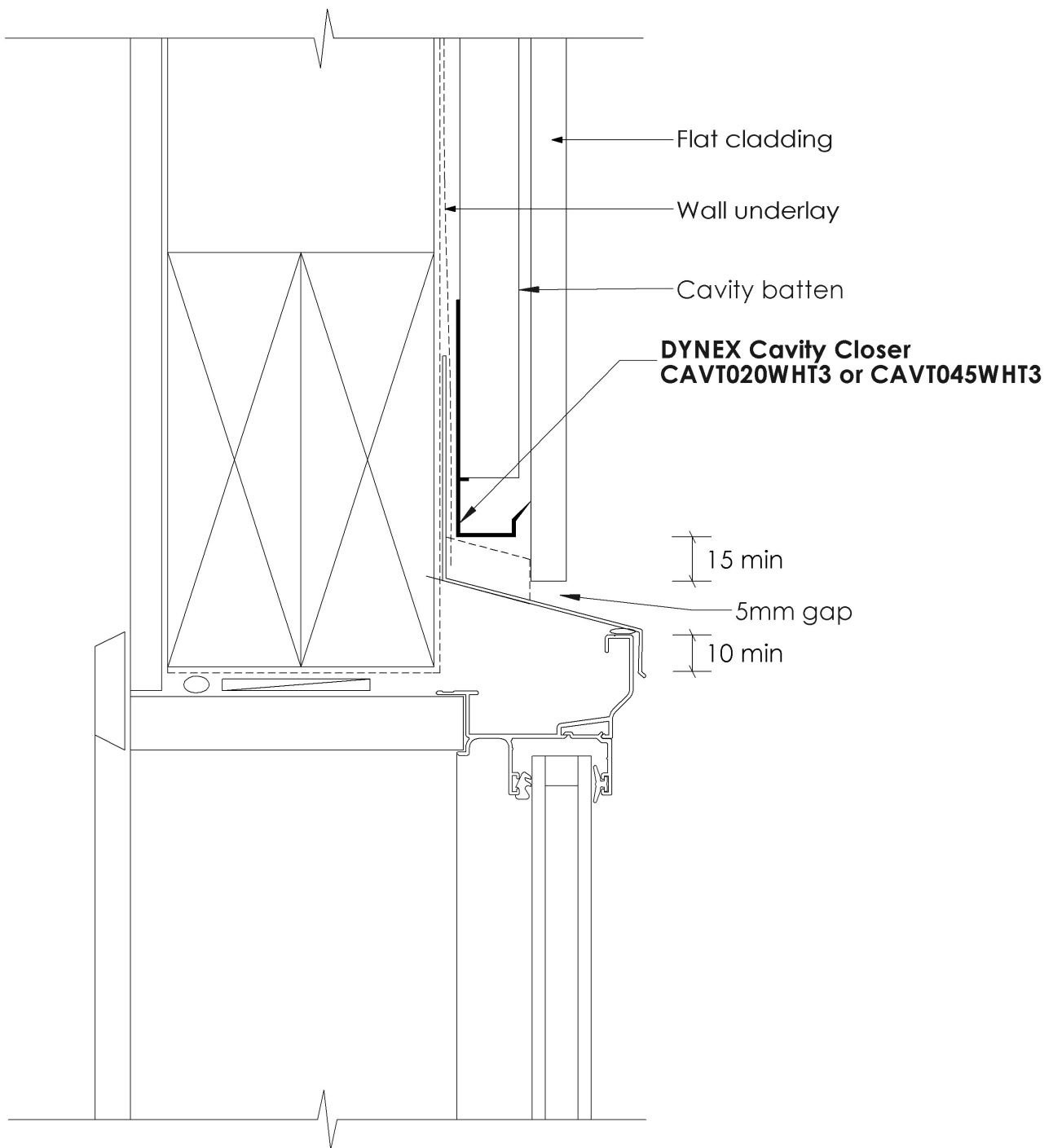


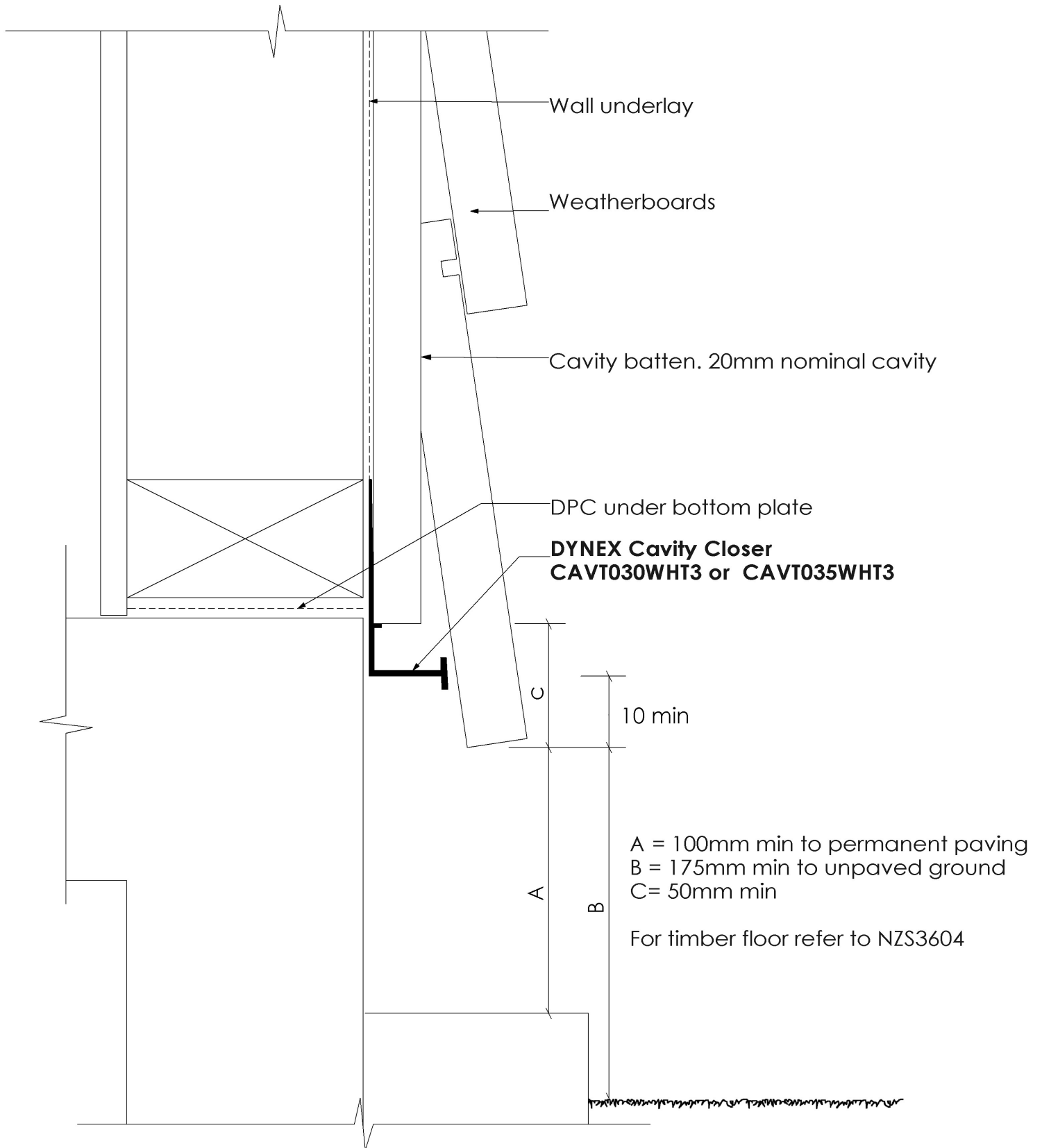
	Dynex Cavity Closers Bottom Plate Flat Cladding 20mm Cavity		Scale: 1:2
			<small>Do not scale from drawings. Contact Dynex Extrusions Ltd for exact dimensions www.dynex.co.nz 0800 4 DYNEX (0800 4 39639)</small>
			Date: January 2018
			Detail no: CC-01



DYNEX cavityclosers

Dynex Cavity Closers
Window Head Flat Cladding

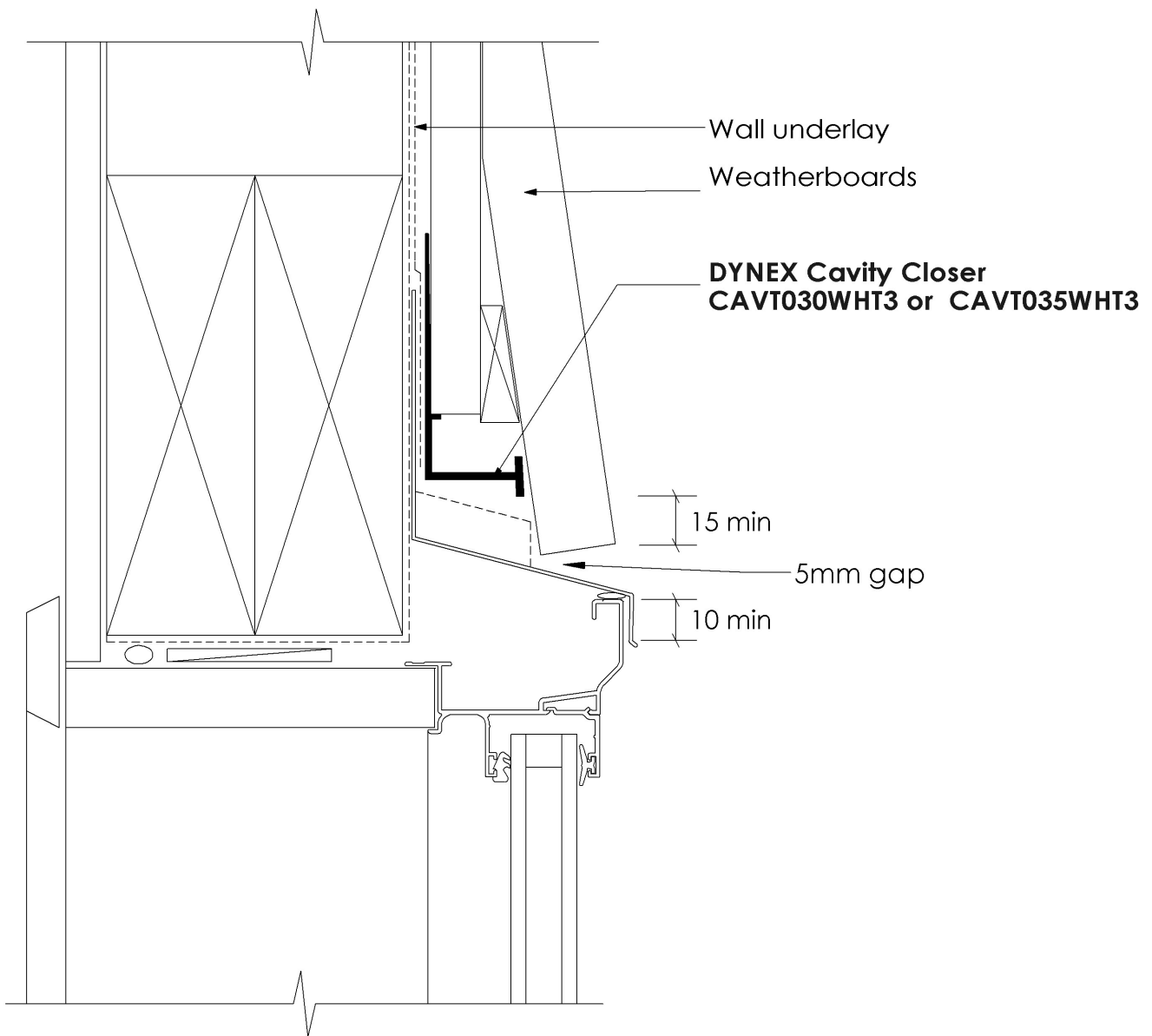
Scale:	1:2
Do not scale from drawings. Contact Dynex Extrusions Ltd for exact dimensions www.dynex.co.nz 0800 4 DYNEX (0800 4 39639)	
Date:	January 2018
Detail no:	CC-02



DYNEX cavityclosers

Dynex Cavity Closers
Bottom Plate Weatherboards

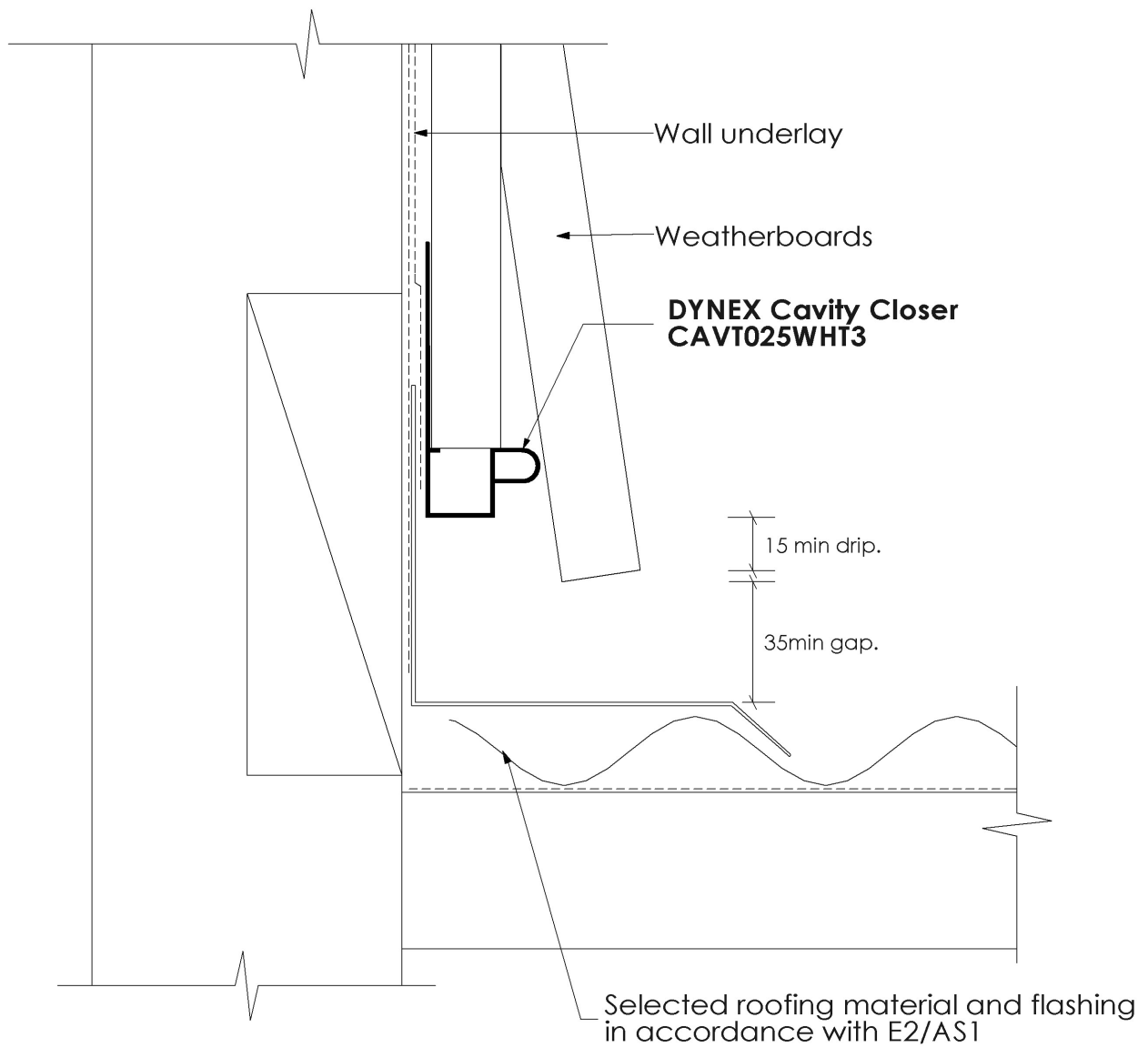
Scale:	1:2
Do not scale from drawings. Contact Dynex Extrusions Ltd for exact dimensions www.dynex.co.nz 0800 4 DYNEX (0800 4 39639)	
Date:	January 2018
Detail no:	CC-03



DYNEX cavityclosers

Dynex Cavity Closers
Window Head Weatherboards

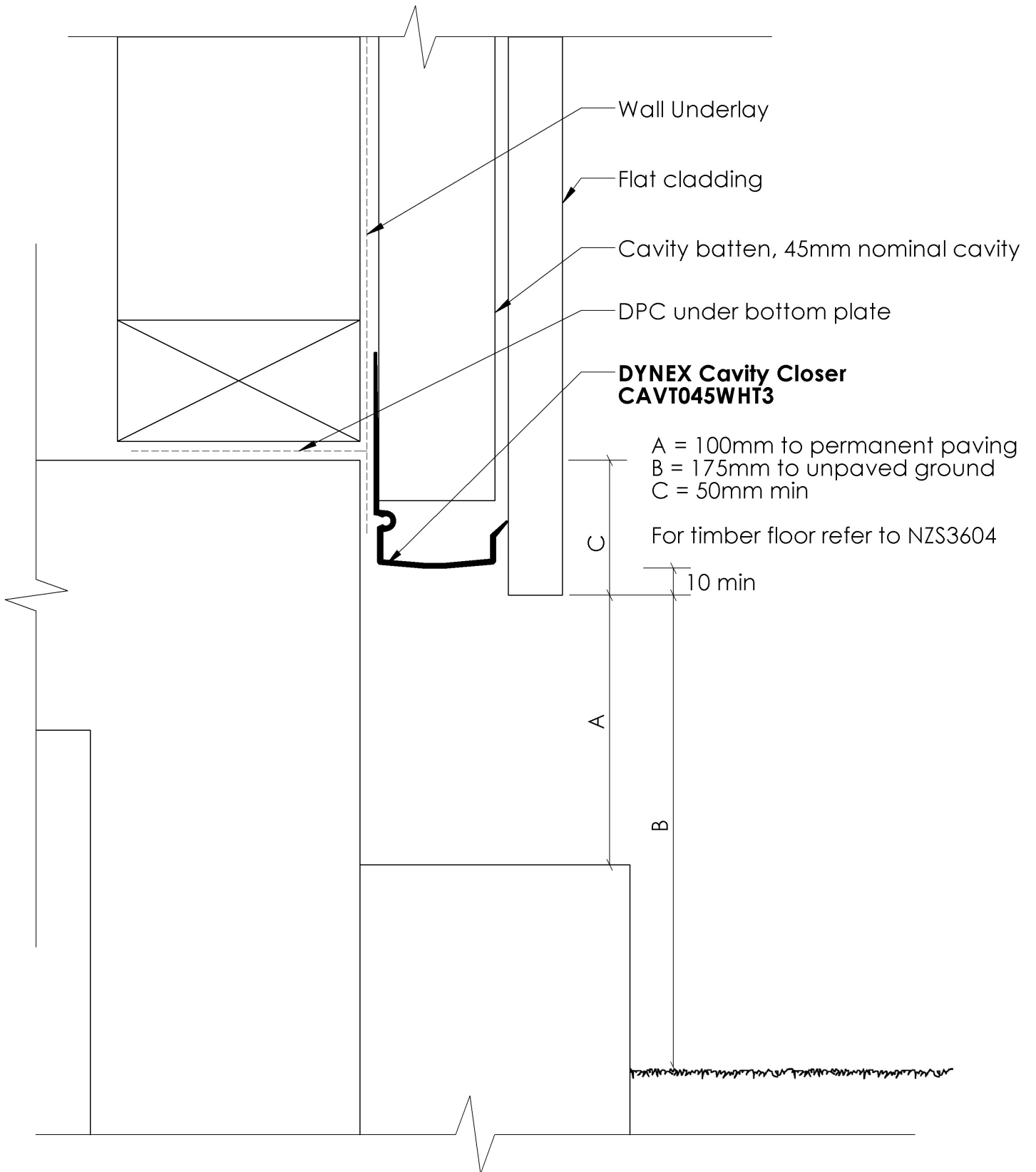
Scale:	1:2
Do not scale from drawings. Contact Dynex Extrusions Ltd for exact dimensions www.dynex.co.nz 0800 4 DYNEX (0800 4 39639)	
Date:	January 2018
Detail no:	CC-04



DYNEX cavityclosers

Dynex Cavity Closers
Raked Roof Closer

Scale:	1:2
Do not scale from drawings. Contact Dynex Extrusions Ltd for exact dimensions www.dynex.co.nz 0800 4 DYNEX (0800 4 39639)	
Date:	January 2018
Detail no:	CC-05



DYNEX cavityclosers

Dynex Cavity Closers
Bottom Plate Flat Cladding 45mm Cavity

Scale:	1:2
Do not scale from drawings. Contact Dynex Extrusions Ltd for exact dimensions www.dynex.co.nz 0800 4 DYNEX (0800 4 39639)	
Date:	January 2018
Detail no:	CC-06