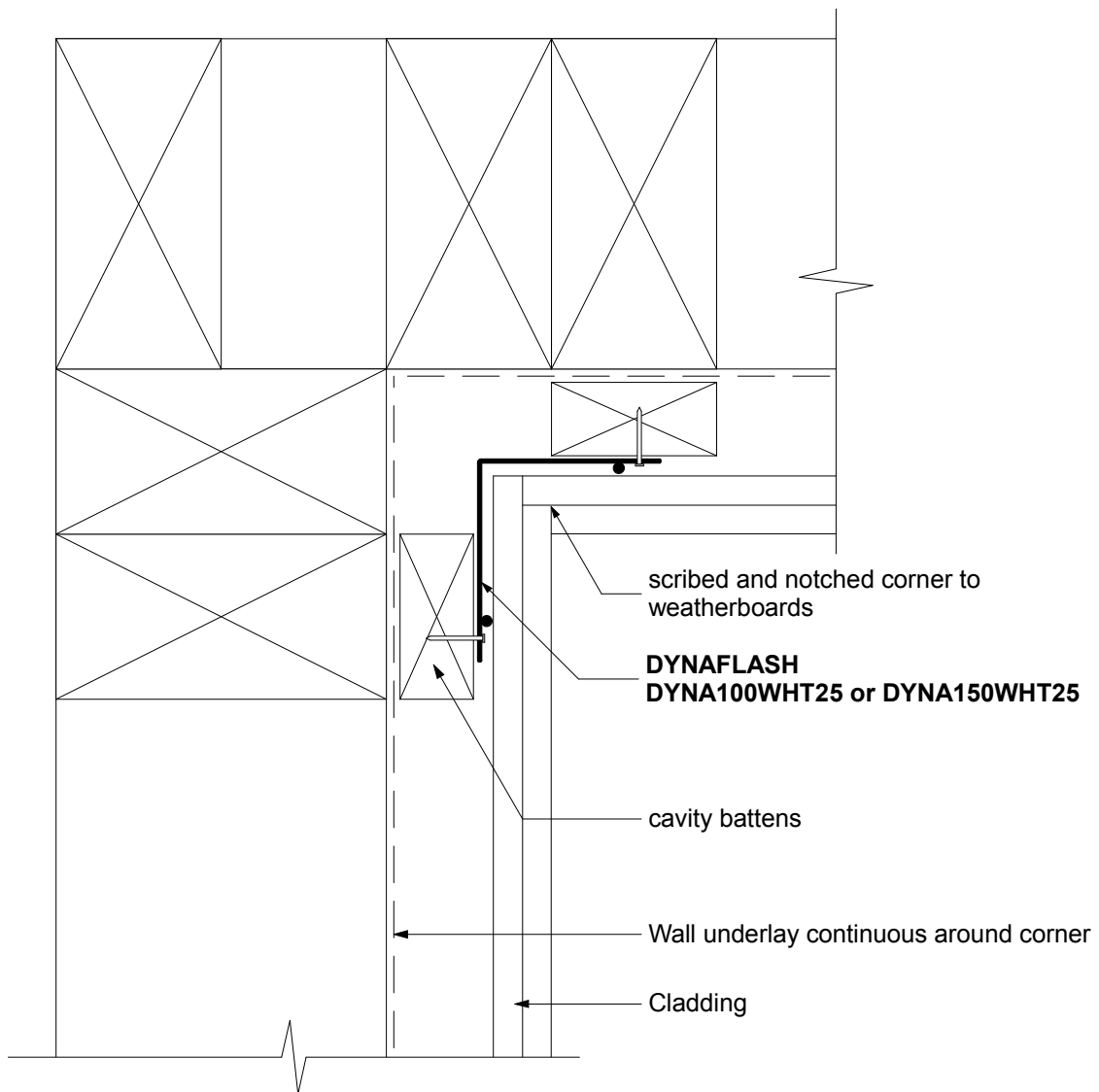


DYNFLASH

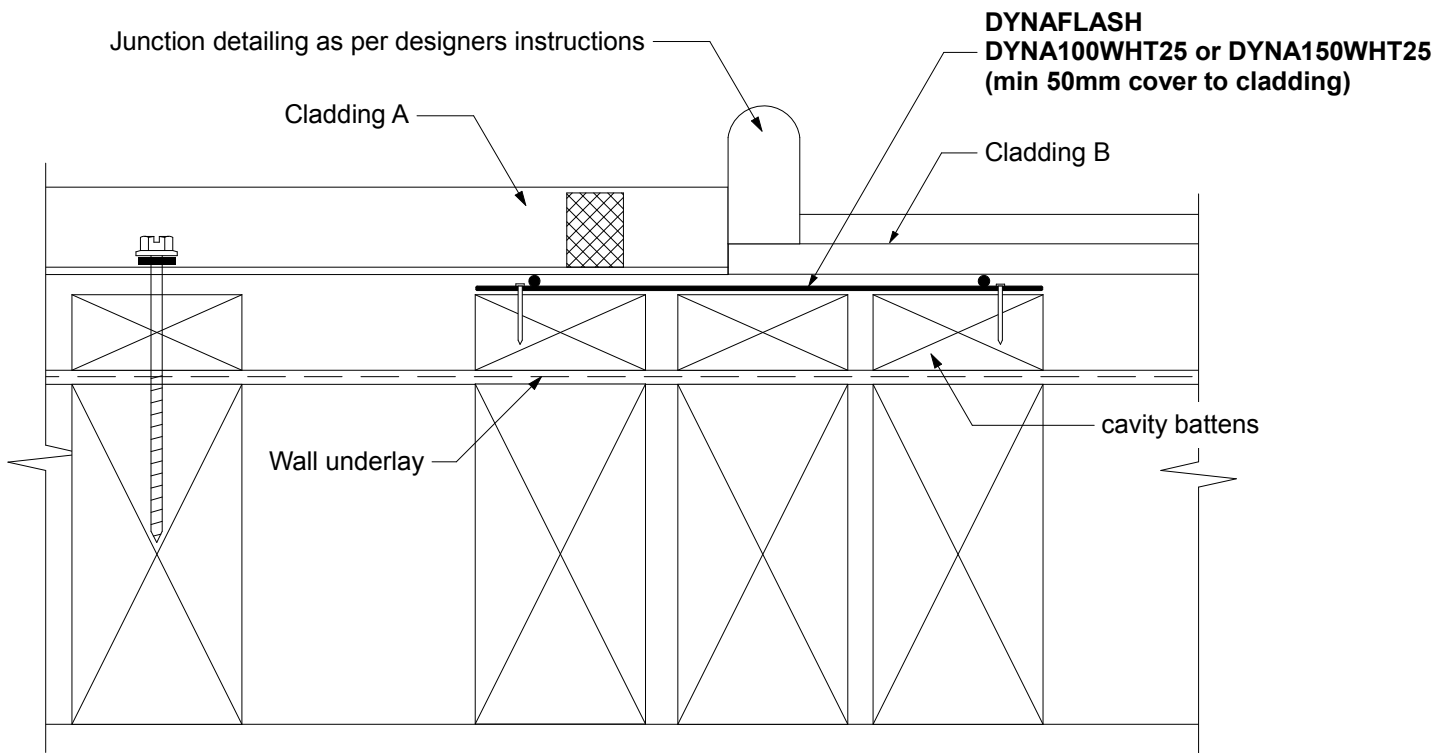
DynaFlash Universal Back Flashing
External Corner

Scale:	1:2
Do not scale from drawings. Contact Dynex Extrusions Ltd for exact dimensions www.Dynex.co.nz 0800 4 DYNEX (0800 4 39639)	
Date:	April 2016
Detail No:	DF - 01



DynaFlash Universal Back Flashing
Internal Corner

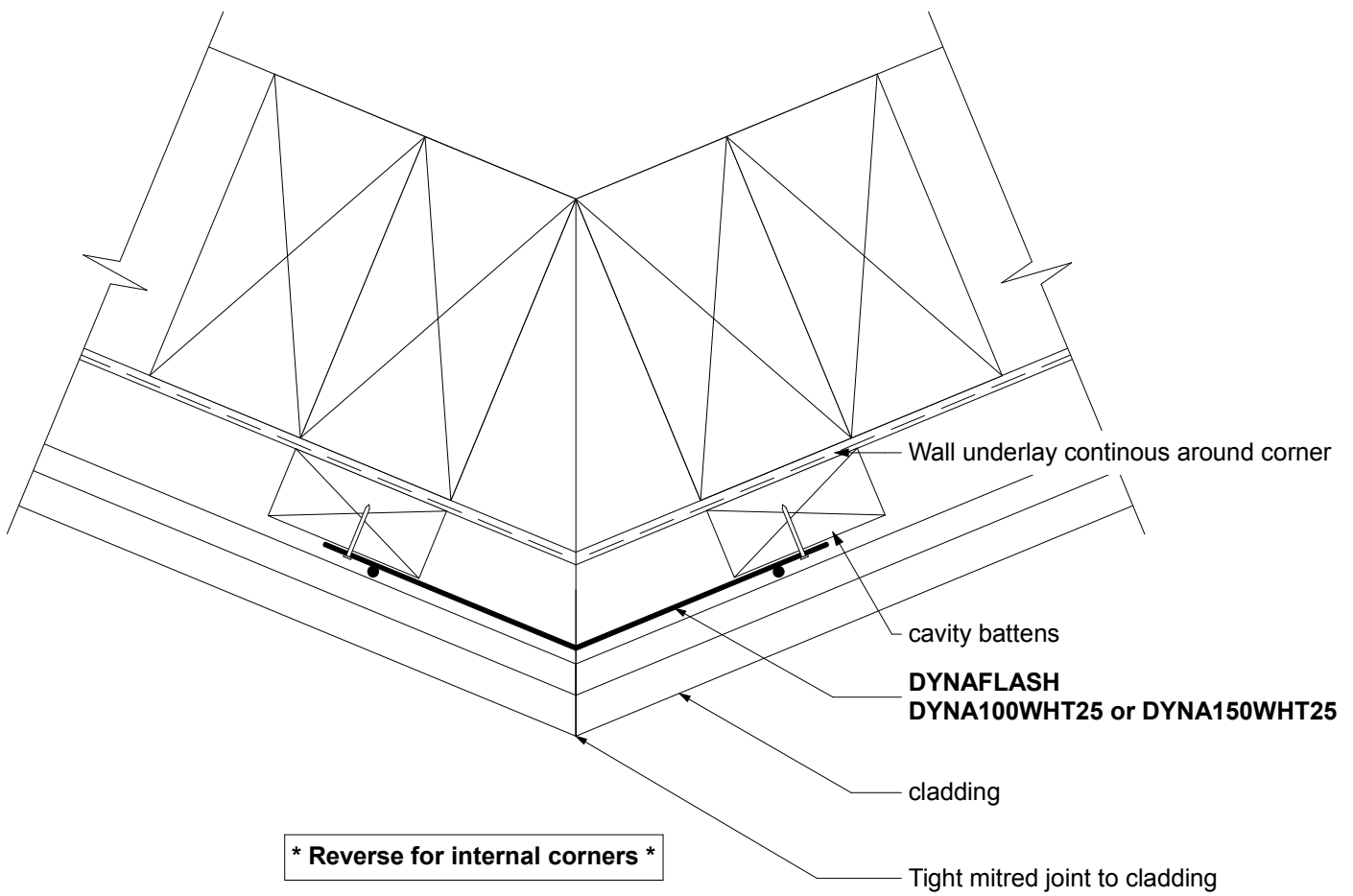
Scale:	1:2
Do not scale from drawings. Contact Dynex Extrusions Ltd for exact dimensions www.dynex.co.nz 0800 4 DYNEX (0800 4 39639)	
Date:	April 2016
Detail No:	DF - 02



DYNAFLASH

DynaFlash Universal Back Flashing
Flat Transition

Scale:	1:2
Do not scale from drawings. Contact Dynex Extrusions Ltd for exact dimensions www.dynex.co.nz 0800 4 DYNEX (0800 4 39639)	
Date:	April 2016
Detail No:	DF - 03



DYN AFLASH

DynaFlash Universal Back Flashing
Angled Corner

Scale:	1:2
Do not scale from drawings. Contact Dynex Extrusions Ltd for exact dimensions www.dynex.co.nz 0800 4 DYNEX (0800 4 39639)	
Date:	April 2016
Detail No:	DF - 04